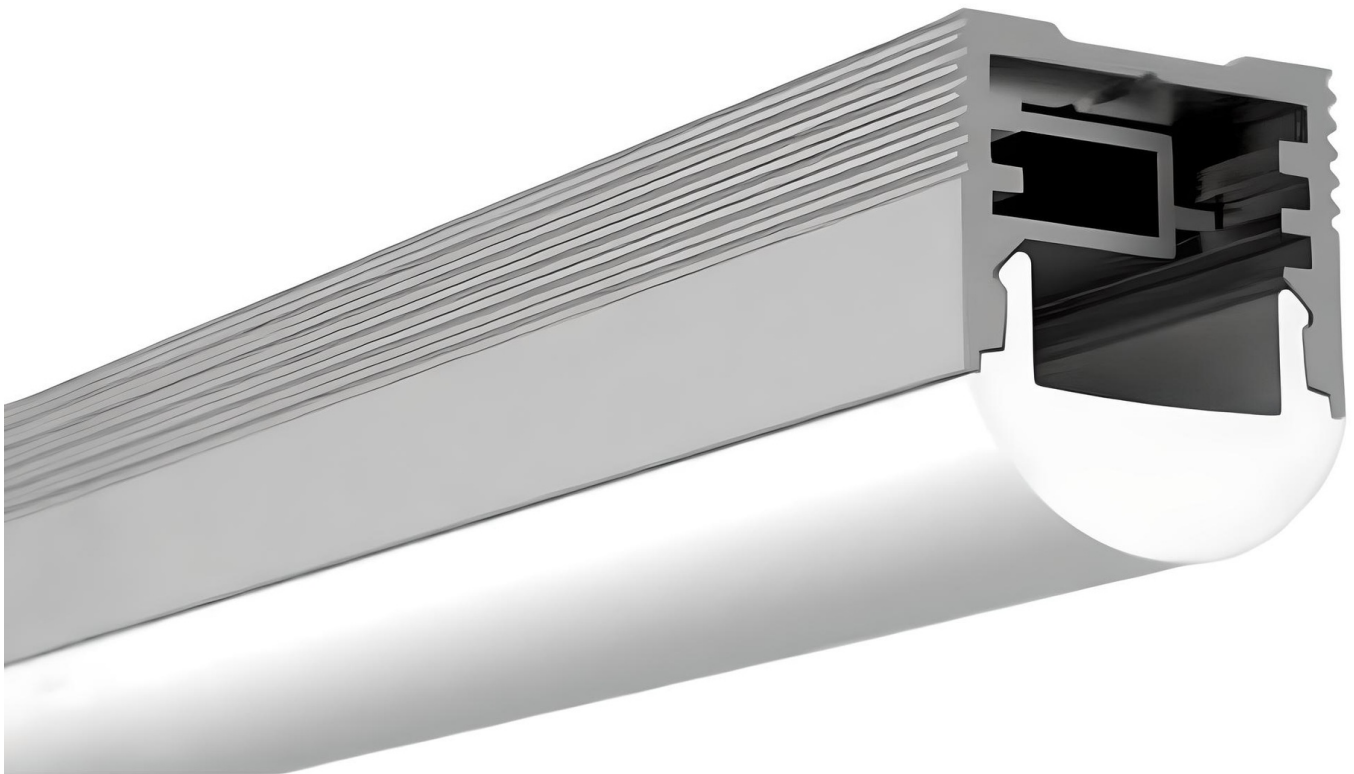


Profile - 1612L

[AES-06-LS1612L]



Technical Specifications

ATTRIBUTE	VALUES
Wattages	4.8W, 9.6W, 12W, TBC, 16.8W
Correlated Colour Temperature (CCT)	CCT: 2300K, CCT: 2700K, CCT: 3000K, CCT: 3500K, CCT: 4000K, CCT: 6000K
Lumens	112lm/W @ 2300K, 129lm/W @ 2700K, 136lm/W @ 3000K, 139lm/W @ 3500K, 139lm/W @ 4000K, 136lm/W @ 6000K
Product Code	C8200-24v-8mm
Cutting Unit	5mm
Correlated Colour Index (CRI)	>90
MacAdam Ellipse (SDCM)	<2
Light Source & Brand	LED: SMD
IP Rating	20, 65, 67, TBC
Voltage	DC 24V
LED's p/m	200
Size - Width	Width: 16mmW
Size - Height	Height: 18mmH
Trim / Outer Colour	Trim/Outer: White, Trim/Outer: Black, Trim/Outer: Silver
Mounting Options	Surface Mounted, TBC, Recessed
Beam Angle	Beam Angle: 20°
Dimming Options	Non-Dimmable, Triac Dimmable, TBC, 0-10V Dimmable, DALI Dimmable
Operating Temperature	Operating Temperature: -25°C to 40°C
Lifetime	Reported L80 @ 85° >60,000 Hrs - As outlined within IESNA Standards, Projected Lifetime can be up to 6 x the reported lifetimes

Product Options

ATTRIBUTE	VALUES
Size - Height	Height: 18mmH
Beam Angle	Beam Angle: 20°
Dimming Options	Non-Dimmable, Triac Dimmable, TBC, 0-10V Dimmable, DALI Dimmable
Operating Temperature	Operating Temperature: -25°C to 40°C

Certification and Compliance

